

# TURBO NORMAL DN 6.0

## Roof-vent

Catalog no.: **T51**

Complete roof-vent with roof pass-through,  
installed directly on PVC pipe, flat and standing seam roof.  
Rotating roof-vent harnesses wind power which supports air circulation.

### Technical data:

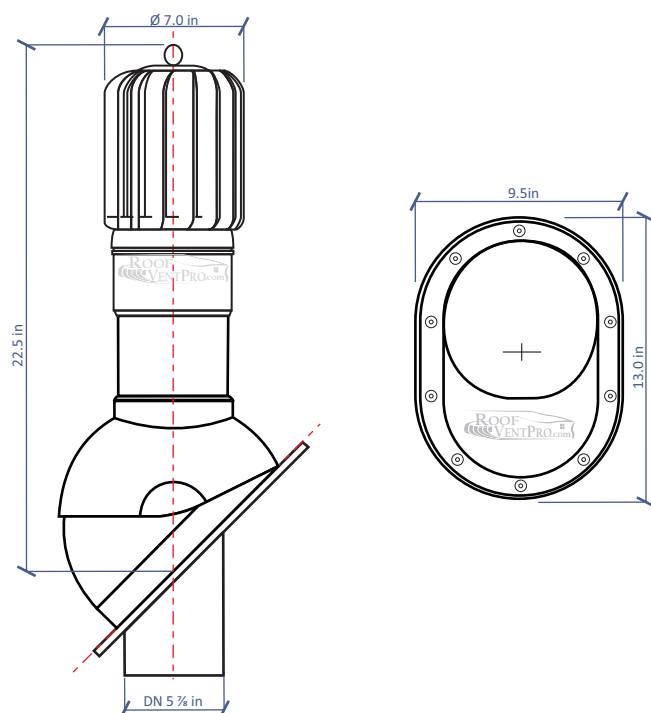
- Roof surface: flat and standing seam roof, classic rib
- Type: non-insulated
- Adjustable angle: 5°-45°
- Dimensions: DN6/H22.5in
- Package: 1pc/set
- Box size: 17x11x20
- Quantity on euro-pallet (71in): 24 pcs
- Net weight: 4.74 lbs
- Gross: 6.39 lbs
- Built-in level - bubble level
- Material: PP-polypropylene dyed in mass  
UV stabilized



### Available colors:



### Technical drawing:



### Set includes:

- roof-vent
- pass through
- butyl seal
- 16 pcs of farmer screws in roof-vent color

Details: [www.RoofVentPro.com](http://www.RoofVentPro.com)

Product from  WIRPLAST US