

## NORMAL DN 4.25

### Roof-vent

Catalog no.: **K23**

Complete roof-vent with pass-trough,  
installed directly on PVC pipe, flat and standing seam roof.

#### Technical data:

- Roof surface: flat and standing seam roof, classic rib
- Type: non-insulated
- Adjustable angle: 5°-45°
- Dimensions: DN4.25/H19.75in
- Package: 1pc/set
- Box size: 18x10x14
- Quantity on euro-pallet (71in): 34 pcs
- Net weight: 3.2 lbs
- Gross: 4.41 lbs
- Built-in level - bubble level
- Material: PP-polypropylene dyed in mass  
UV stabilized



#### Available colors:



Green 6020



Brown 8017



Red 3009



Graphite 7024

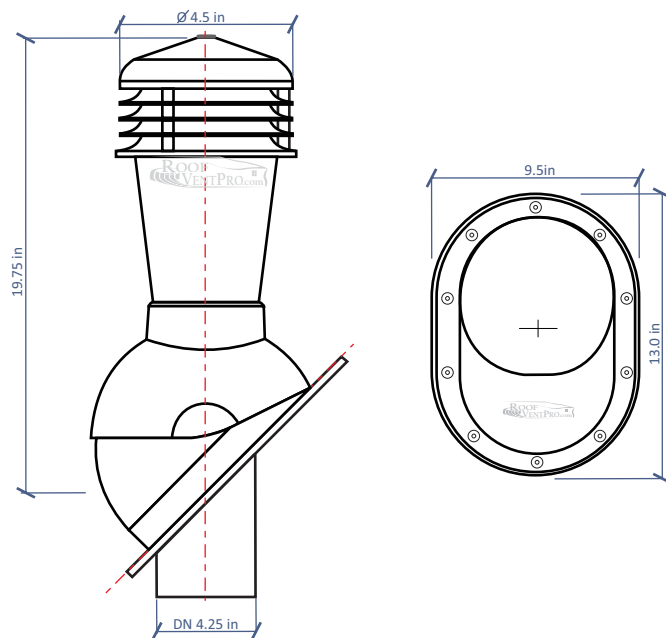


Black 9005



Brick-red 8004

#### Technical drawing:



#### Set includes:

- roof-vent
- pass trough
- butyl seal
- 14 pcs of farmer screws in roof-vent color

Details: [www.RoofVentPro.com](http://www.RoofVentPro.com)

Product from  WIRPLAST US