

UNIVERSAL DN 4.25"

Roof-vent

Catalog no.: **K25**

Complete roof-vent with profiled pass-trough,
installed directly on PVC pipe, metal tiles and profiled sheets.

Technical data:

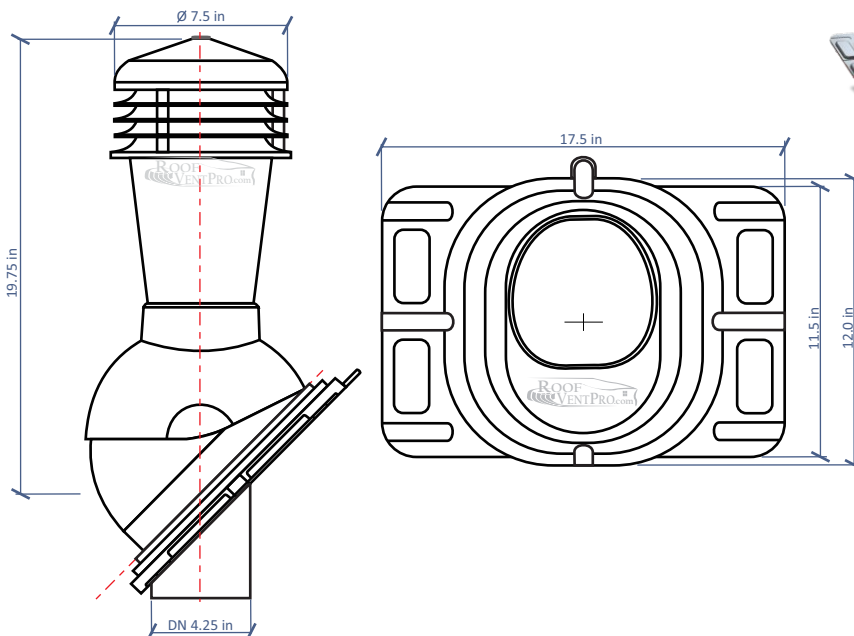
- Roof surface: metal tiles, profiled sheets
- Type: non-insulated
- Adjustable angle: 5°-45°
- Dimensions: DN4.25/H19.75in
- Package: 1pc/set
- Box size: 18x8x21
- Quantity on euro-pallet (71in): 29 pcs
- Net weight: 4.74 lbs
- Gross: 6.39 lbs
- Built-in level - bubble level
- Material: PP-polypropylene dyed in mass
UV stabilized



Available colors:



Technical drawing:



Set includes:

- roof-vent
- pass trough
- sealing flange
- connection pipe
- silicone 40ml
- 12 pcs of farmer screws in roof-vent color
- 16 pcs of galvanized screws

Details: www.RoofVentPro.com

Product from 