

STANDARD SIMPLE Ventilation set

Catalog no.: **P17**

Ventilation set designed to vent barren attics effectively removes damp from roof construction and area, in summer days lowers the temperature in attics.

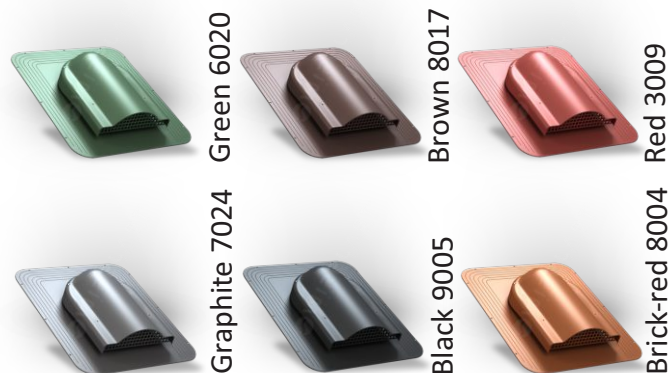
Technical data:

- Roof surface: roof shingles, aluminum shingles, slate and cedar shake roof
- Type: ventilation set
- Package: 1pc/set
- Box size: 19x17x4
- Quantity on euro-pallet (71in): 72 pcs
- Net weight: 1.65 lbs
- Gross: 2.54 lbs

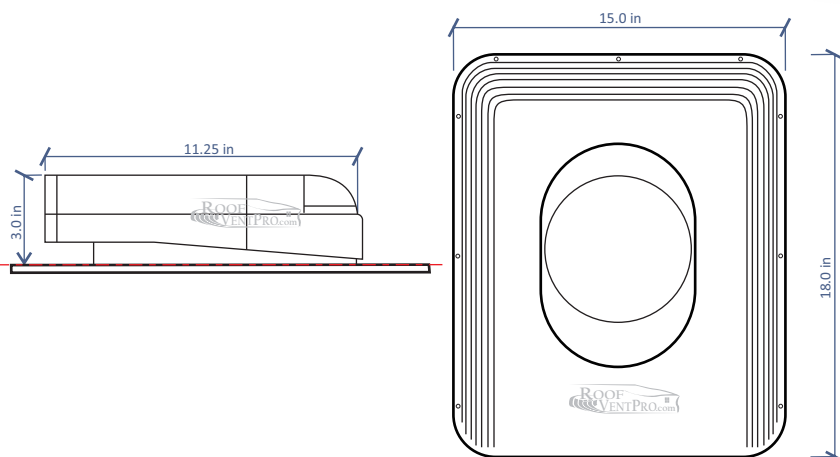
Material: PP-polypropylene dyed in mass
UV stabilized



Available colors:



Technical drawing:



Set includes:

- ventilation set

Details: www.RoofVentPro.com

Product from  WIRPLAST US