

UNIVERSAL INSULATED DN 4.25"

Roof-vent

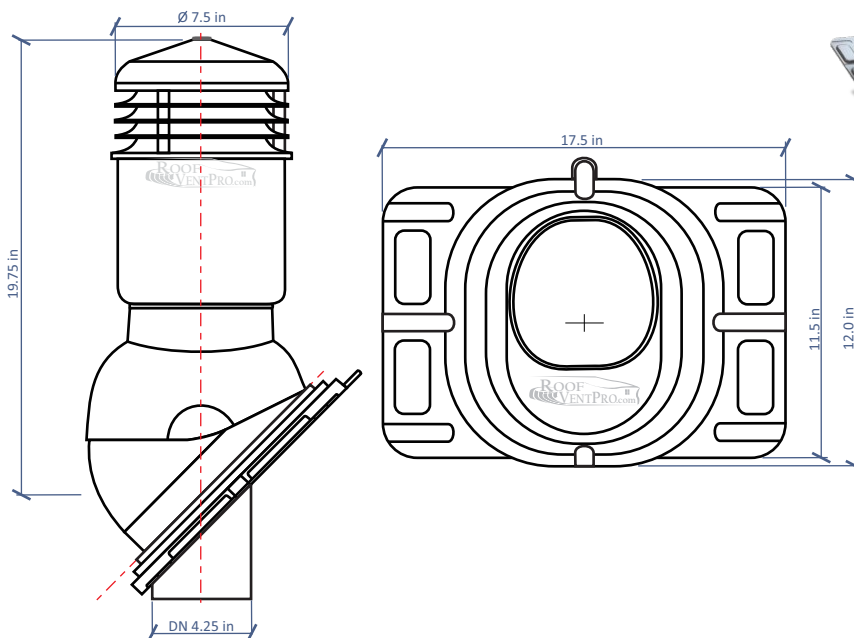
Catalog no.: **K26**

Complete roof-vent with profiled pass-trough, installed directly on PVC pipe, metal tiles and profiled sheets. Insulated type, which prevents from condensation of water-vapour in the air-duck during winter.

Technical data:

- Roof surface: metal tiles, profiled sheets
- Type: insulated
- Adjustable angle: 5°-45°
- Dimensions: DN4.25/H19.75in
- Package: 1pc/set
- Box size: 18x8x21
- Quantity on euro-pallet (71in): 29 pcs
- Net weight: 5.29 lbs
- Gross: 6.94 lbs
- Built-in level - bubble level
- Material: PP-polypropylene dyed in mass UV stabilized

Technical drawing:



Available colors:



Set includes:

- roof-vent
- pass trough
- sealing flange
- connection pipe
- silicone 40ml
- 12 pcs of farmer screws in roof-vent color
- 16 pcs of galvanized screws

Details: www.RoofVentPro.com

Product from WIRPLAST US