

STANDARD DN 4.25"

Roof-vent

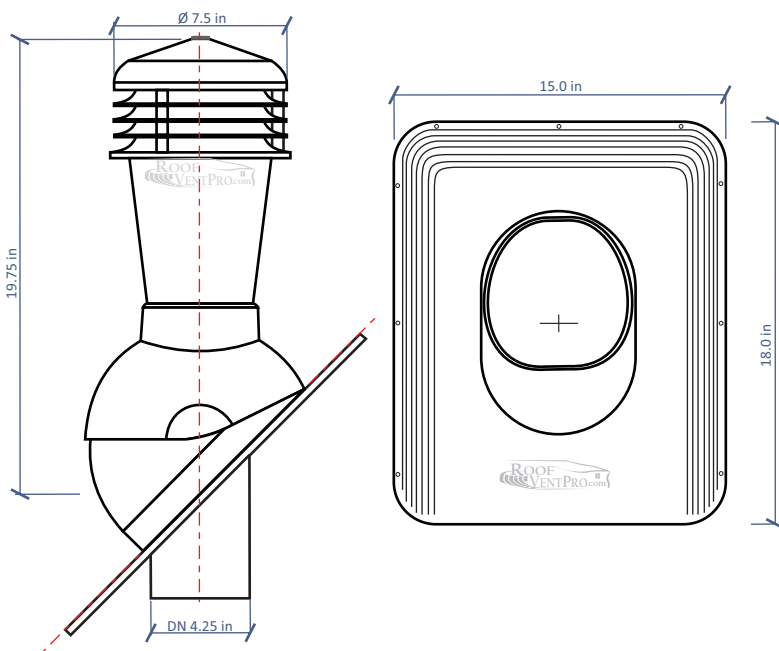
Catalog no.: **K21**

Complete roof-vent with profiled pass-trough, installed directly on PVC pipe, roof shingles, aluminum shingles, slate and cedar shake roof.

Technical data:

- Roof surface: roof shingles, aluminum shingles, slate and cedar shake roof
- Type: non-insulated
- Adjustable angle: 5°-45°
- Dimensions: DN4.25/H19.75in
- Package: 1pc/set
- Box size: 18x8x21
- Quantity on euro-pallet (71in): 29 pcs
- Net weight: 3.3 lbs
- Gross: 4.52 lbs
- Built-in level - bubble level
- Material: PP-polypropylene dyed in mass UV stabilized

Technical drawing:



Available colors:



Set includes:

- roof-vent
- pass trough
- 4 pcs of farmer screws in roof-vent color

Details: www.RoofVentPro.com

Product from  WIRPLAST US