

TURBO STANDARD PRO DN 5 7/8"

Roof-vent

Catalog no.: **T21**

Complete roof-vent with profiled pass-trough, installed directly on PVC pipe, roof shingles, aluminum shingles, slate and cedar shake roof.

Rotating roof-vent harnesses wind power which supports air circulation.

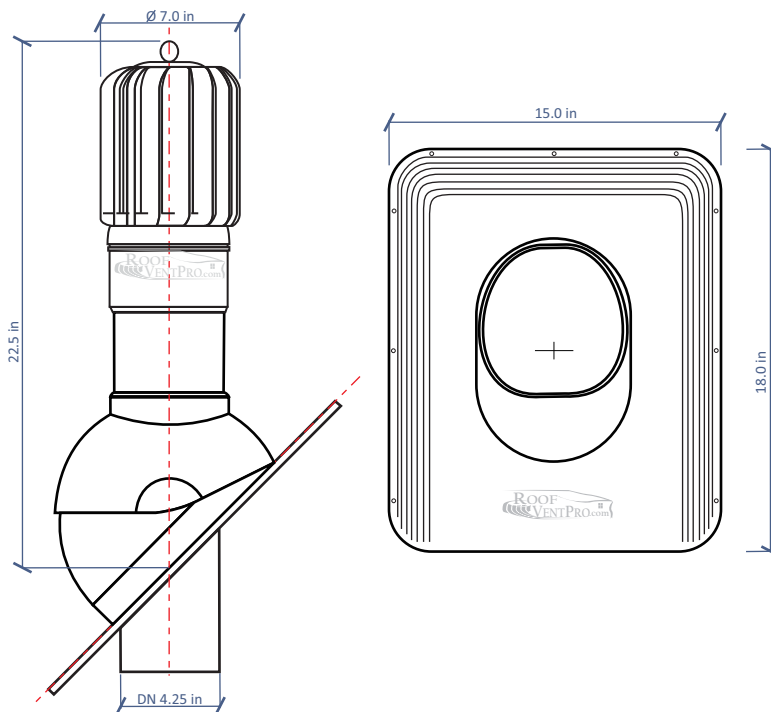
Technical data:

- Roof surface: roof shingles, aluminum shingles, slate and cedar shake roof.
- Type: non-insulated
- Adjustable angle: 0°-45°
- Dimensions: DN 5 7/8 / H 23.25in
- Package: 1pc/set
- Box size: 17x11x20
- Quantity on euro-pallet (71in): 20 pcs
- Net weight: 4.96 lbs
- Gross: 6.39 lbs
- Built-in level - bubble level

Material: PP-polypropylene dyed in mass
UV stabilized



Available colors:



Set includes:

- roof-vent
- pass trough
- 4 pcs of farmer screws in roof-vent color